

Return to:
George Fern Company

Expositions • Corporate Events • Exhibits

Nationwide

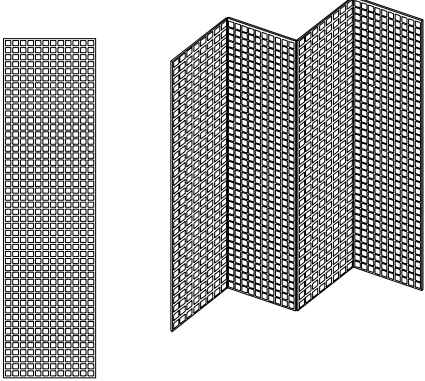
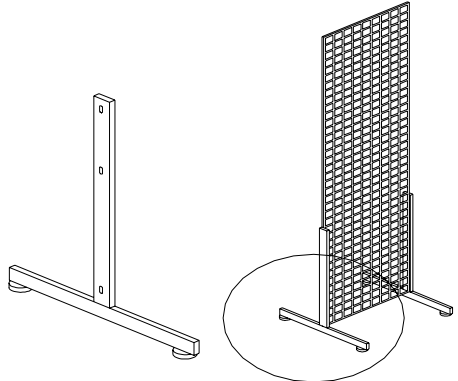
3752 Crittenden Drive Louisville, Kentucky 40209-1122
 Telephone: 502.367.0254 Fax: 502.368.0284

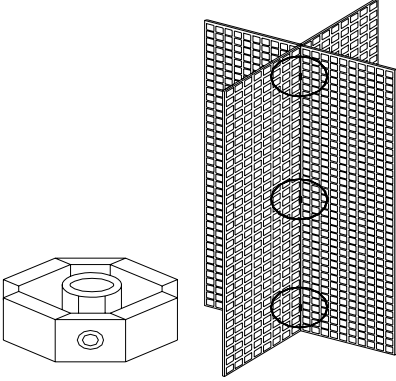
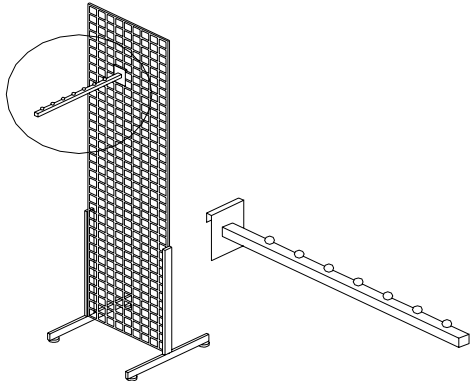
**WIRE MESH GRIDS
 ORDER FORM**

DEADLINE September 1, 2008
 for return of this form:

CANCELLATION: Cancellation after deadline will be charged at 50% of prevailing rate.
LATE REQUEST: Request received after deadline will be filled as available, at the standard rate.

WIRE MESH GRID SYSTEM

475	GRID PANELS BLACK 24" X 96" (Price per panel)	476	GRID LEGS BLACK (Price per leg)
			

477	4-WAY CONNECTORS CONNECTS 4 GRID PANELS @ 90° ANGLE (Price each connector)	478	7-WAY WATERFALL BLACK (Price each)
			

Quantity	Style (See Illustrations)	Discount Rate	Standard Rate	Quantity	Style (See Illustrations)	Discount Rate	Standard Rate
___	(475) Grid Panel, 2' x 8'	\$ 65.00 ea.	\$ 87.75 ea	___	(476) Grid Legs	\$ 10.00 ea.	\$ 13.50 ea
___	(477) 4-Way Connector	\$ 2.00 ea.	\$ 2.75 ea	___	(478) 7-Way Waterfall	\$ 8.00 ea.	\$ 10.75 ea

Yes, I have completed and enclosed the Payment Form

No credit will be given after close of event on items or services ordered, but not received.
 If you have a problem please see George Fern Co. Service Personnel at the event site prior to opening.

➡ **Sub Total :** \$ _____
7.5% StateTax : \$ _____
Total: \$ _____

Name of Event AMAF #4-5405-08 Booth# _____ Phone () _____

Firm Name _____ Fax # () _____

Address _____ E-Mail _____

Street City State Zip Code

Print/Type Name _____ Signature _____ Date _____

All orders are subject to the terms and conditions as outlined on the payment form.