

Return to:



EXPOSITION & EVENT SERVICES

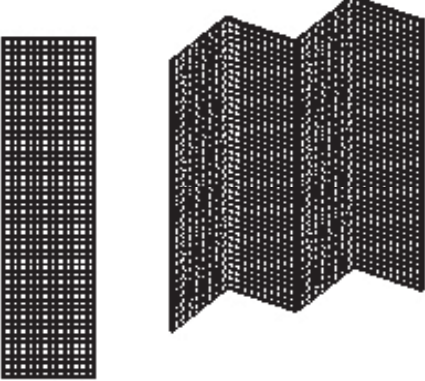
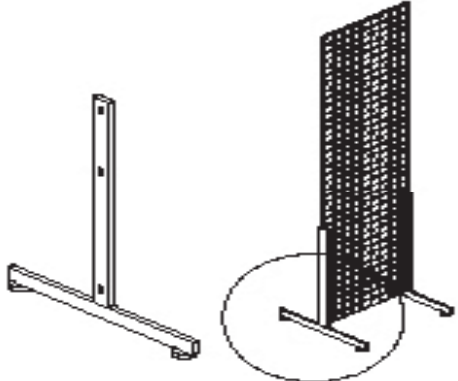
3752 Crittenden Drive Louisville, Kentucky 40209-1122
 Telephone: 502.367.0254 Fax: 502.368.0284

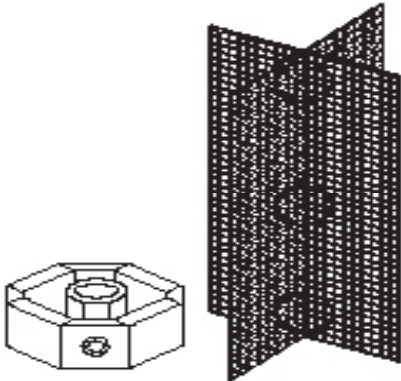
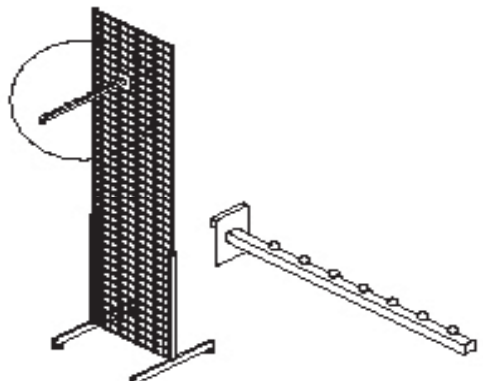
WIRE MESH GRIDS ORDER FORM

DEADLINE October 31, 2011
 for return of this form:

CANCELLATION: Cancellation after deadline will be charged at 50% of prevailing rate.
LATE REQUEST: Request received after deadline will be filled as available, at the standard rate.

WIRE MESH GRID SYSTEM

475	GRID PANELS BLACK 24" X 96" (Price per panel)	476	GRID LEGS BLACK (Price per leg)
			

477	4-WAY CONNECTORS CONNECTS 4 GRID PANELS @ 90° ANGLE (Price each connector)	478	7-WAY WATERFALL BLACK (Price each)
			

Quantity	Style (See Illustrations)	Discount Rate	Standard Rate	Quantity	Style (See Illustrations)	Discount Rate	Standard Rate
_____	(475) Grid Panel, 2' x 8'	\$ 67.00 ea.....	\$ 90.50 ea	_____	(476) Grid Legs	\$ 10.50 ea.....	\$ 14.25 ea
_____	(477) 4-Way Connector	\$ 2.25 ea.....	\$ 3.00 ea	_____	(478) 7-Way Waterfall	\$ 8.25 ea.....	\$ 11.25 ea

Yes, I have completed and enclosed the Payment Form
 No credit will be given after close of event on items or services ordered, but not received.
 If you have a problem please see Fern Service Personnel at the event site prior to opening.

Sub Total : \$ _____
8.25% State Tax : \$ _____
Total : \$ _____

Name of Event **DOD Maintenance Symposium & Exhibition #4-5354-11** Booth# _____ Phone () _____
 Firm Name _____ Fax # () _____
 Address _____ E-Mail _____
 Street City State Zip Code
 Print/Type Name _____ Signature _____ Date _____

All orders are subject to the terms and conditions as outlined on the payment form.